

The TECHNOTORC, dedicated Square Drive Torque Wrench (TSQ) has been designed to offer optimum performance levels for both tightening and loosening nuts and bolts. Technotorc Hydraulic Torque wrenches are capable to achieve Maximum torque upto 70,000 Nm.

The robust and durable design has been manufactured to deliver extreme versatility and ease of operation and can be used in conjunction with standard impact sockets from 3/4" to 2 1/2" square drive. A range of direct hex drive adaptors are also available.



## Exclusive Features :

### Safety

Innovative design that completely encloses all moving parts and eliminates pinch points

### Powerful :

Splined Square drive distributes load, evenly through the drive components, providing maximum transmission force.

### Easy Release :

External release lever allows you to release tool pressure after torquing for easy removal

### Accurate

All our Torque wrenches have an accuracy of  $\pm 3\%$ , all tools are calibrated and certified on in-house test bench in our facility.

### Multi-Positioning Swivel

360 x 180 degree swivel which prevents hose kinking and allows it to be used in highly confined areas. It is incorporated with safety pressure relief mechanism.

### Light, Compact & Durable

Made up of special high strength extruded Aircraft Grade Titanium - Aluminum alloys designed to give maximum strength to weight and torque to weight ratios. All Internal parts made up of Ultra High tensile strength materials. Minimum nose radius for trouble-free tool fit.

### Balanced Design

Piston stroke design to minimize unbalanced forces on cylinder wall which results in less wear and longer tool life.

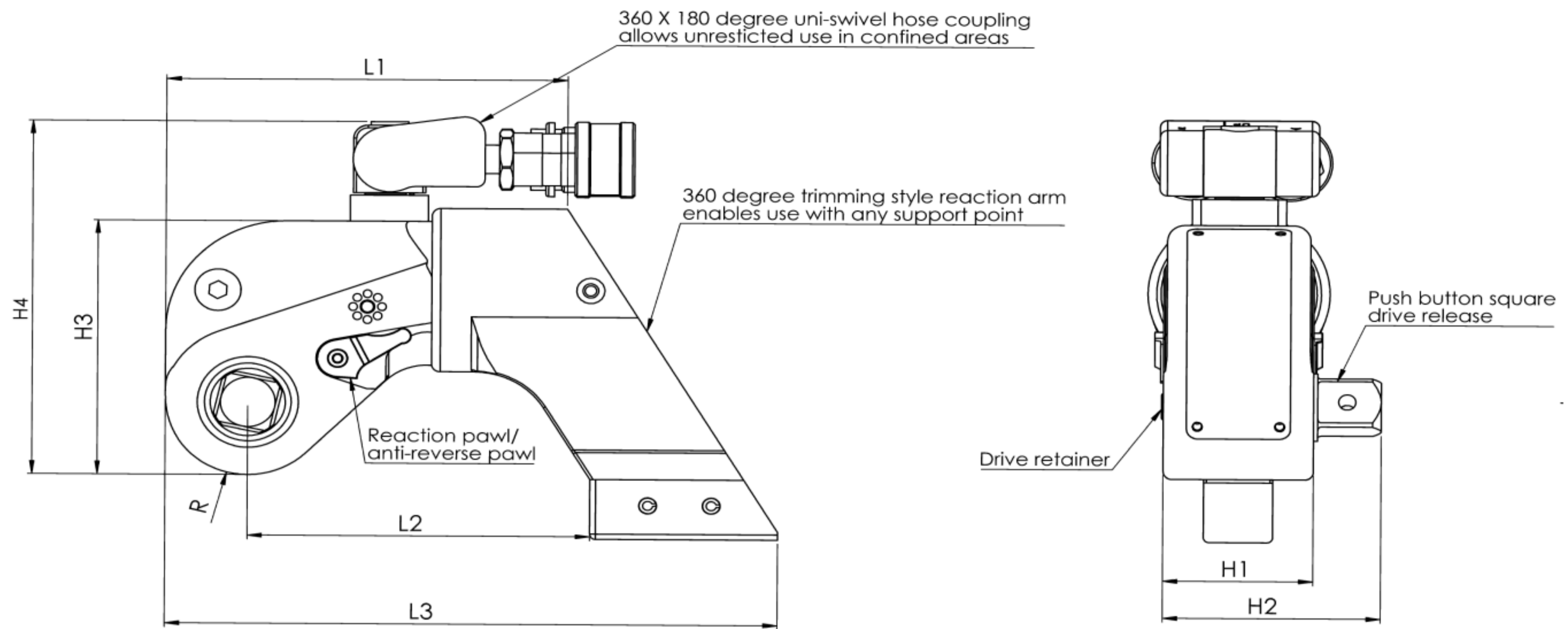
### Warranty

Technotorc provides 2 years\* warranty on TSQ series torque wrenches.

### Made in India

Designed, Manufactured and assembled in INDIA with highest level of material and quality control.

## TECHNICAL & DIMENSIONAL DATA



MODEL NO.	TSQ - 02	TSQ - 05	TSQ - 08	TSQ - 10	TSQ - 15	TSQ - 20	TSQ - 25	TSQ - 35	TSQ - 50	TSQ - 70
Square Drive	3/4"	1"	1 1/2"	1 1/2"	1 1/2"	1 1/2"	2 1/2"	2 1/2"	2 1/2"	2 1/2"
Min. Torque ft-lbs (Nm)	121	320	548	749	1,114	1,432	1,848	2,442	3,499	5,111
	(164)	(433)	(742)	(1015)	(1,509)	(1,940)	(2504)	(3,309)	(4,741)	(6,925)
Max. Torque ft-lbs (Nm)	1,299	3,197	5,476	7,697	11,137	14,324	19,518	25,554	34,992	51,105
	(1,760)	(4,332)	(7,420)	(10430)	(15,090)	(19,409)	(26,447)	(34,626)	(47,414)	(69,247)
Output Accuracy	+/- 3%	+/- 3%	+/- 3%	+/- 3%	+/- 3%	+/- 3%	+/- 3%	+/- 3%	+/- 3%	+/- 3%
Repeatability	100%	100%	100%	100%	100%	100%	100%	100%	100%	100%
Duty Cycle	100%	100%	100%	100%	100%	100%	100%	100%	100%	100%
Tool Weight Lbs (Kg)	4.7(2)	9(4)	16(7)	23.5(10.6)	29(12.9)	44(20)	55(25)	75(33.8)	94(43)	115(52)
L1 Inches (mm)	5.12(130)	6.70(170)	7.95(202)	9.90(228)	9.33(237)	10.75(273)	11.30(287)	12.72(323)	13.82(351)	14.80(376)
L2 Inches (mm)	4.02(102)	5.51(140)	6.30(160)	7.24(184)	7.56(192)	8.78(223)	9.76(248)	10.08(256)	10.67(271)	11.61(295)
L3 Inches (mm)	7.17(182)	9.80(249)	11.26(286)	12.83(326)	13.23(336)	15.39(391)	17.05(433)	18.27(464)	19.45(494)	20.79(528)
H1 Inches (mm)	2.05(52)	2.76(70)	3.19(81)	3.54(90)	3.94(100)	4.33(110)	4.72(120)	5.43(138)	6.02(153)	6.38(162)
H2 Inches (mm)	3.03(77)	3.86(98)	4.92(125)	5.28(134)	5.67(144)	6.46(164)	7.36(187)	8.11(206)	8.54(217)	8.90(226)
H3 Inches (mm)	3.78(96)	5(127)	5.87(149)	6.77(172)	7.13(181)	8.11(206)	8.70(221)	10.16(258)	10.98(279)	11.46(291)
H4 Inches (mm)	5.24(133)	6.5(165)	7.24(184)	8.15(207)	8.50(216)	9.49(241)	10.08(256)	9.09(231)	12.40(315)	12.83(326)
R Inches (mm)	1.02(25.8)	1.37(34.8)	1.57(39.8)	1.84(46.8)	2(50.8)	2.24(56.8)	2.35(59.8)	2.79(70.8)	3.02(76.8)	3.10(78.8)